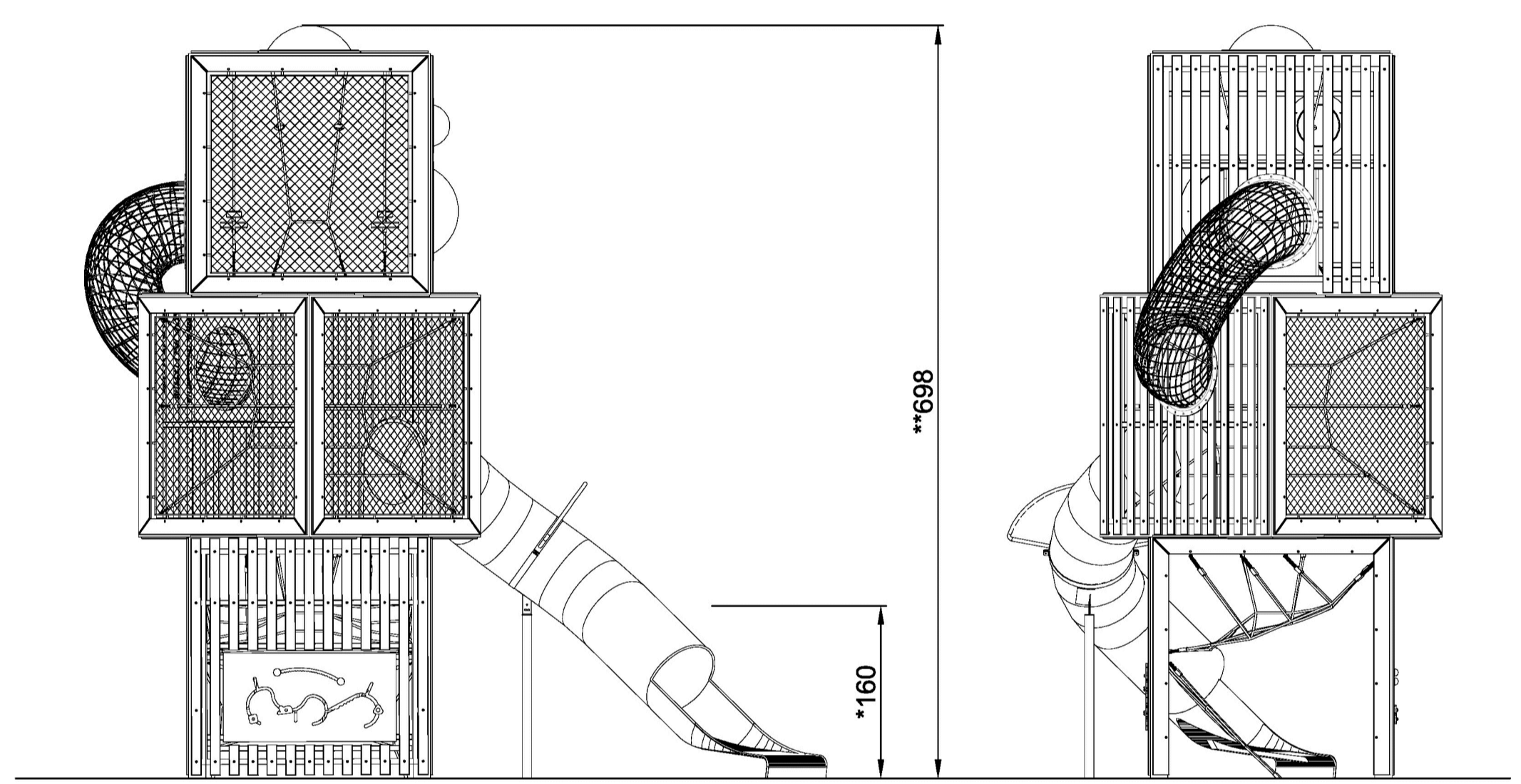
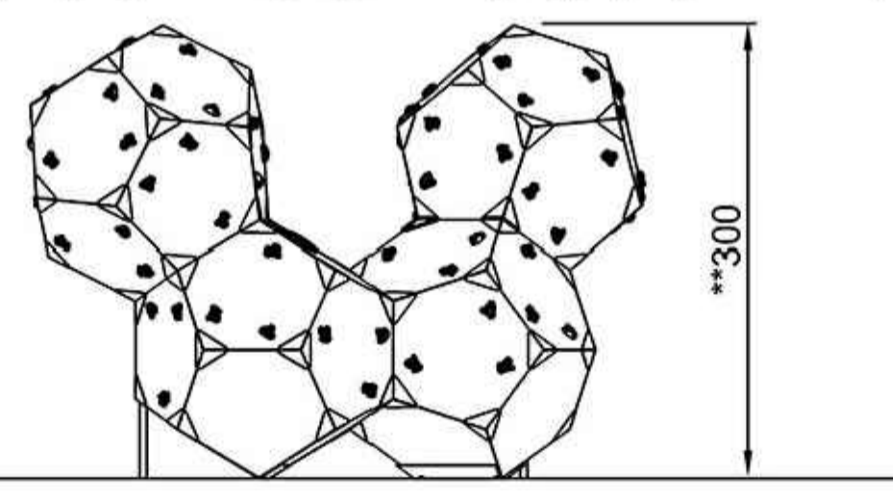
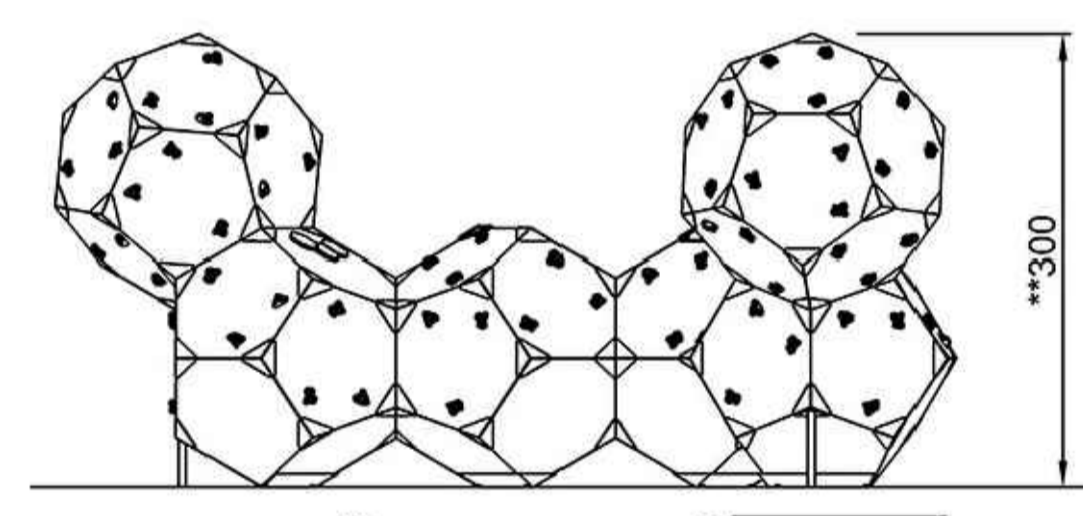
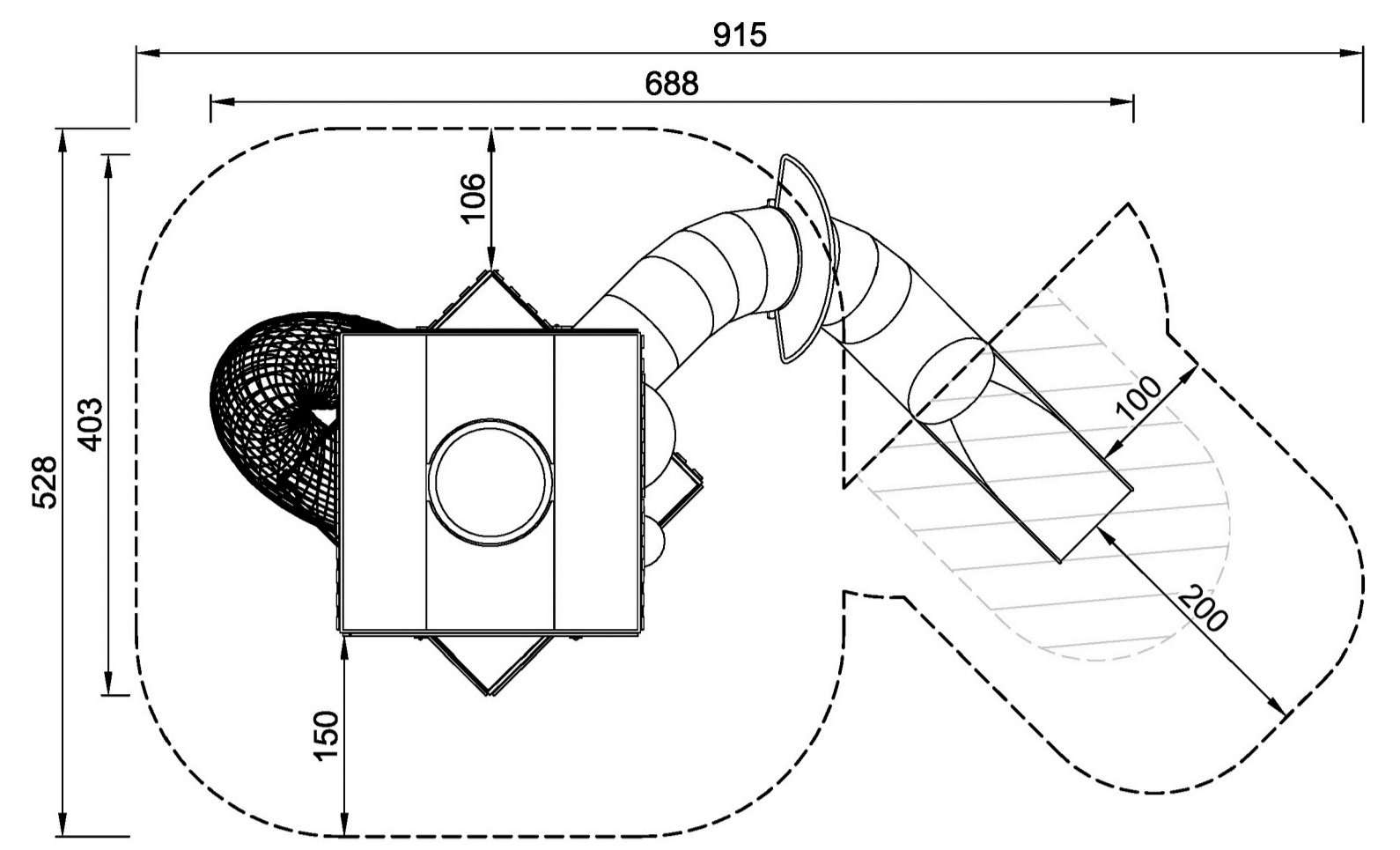
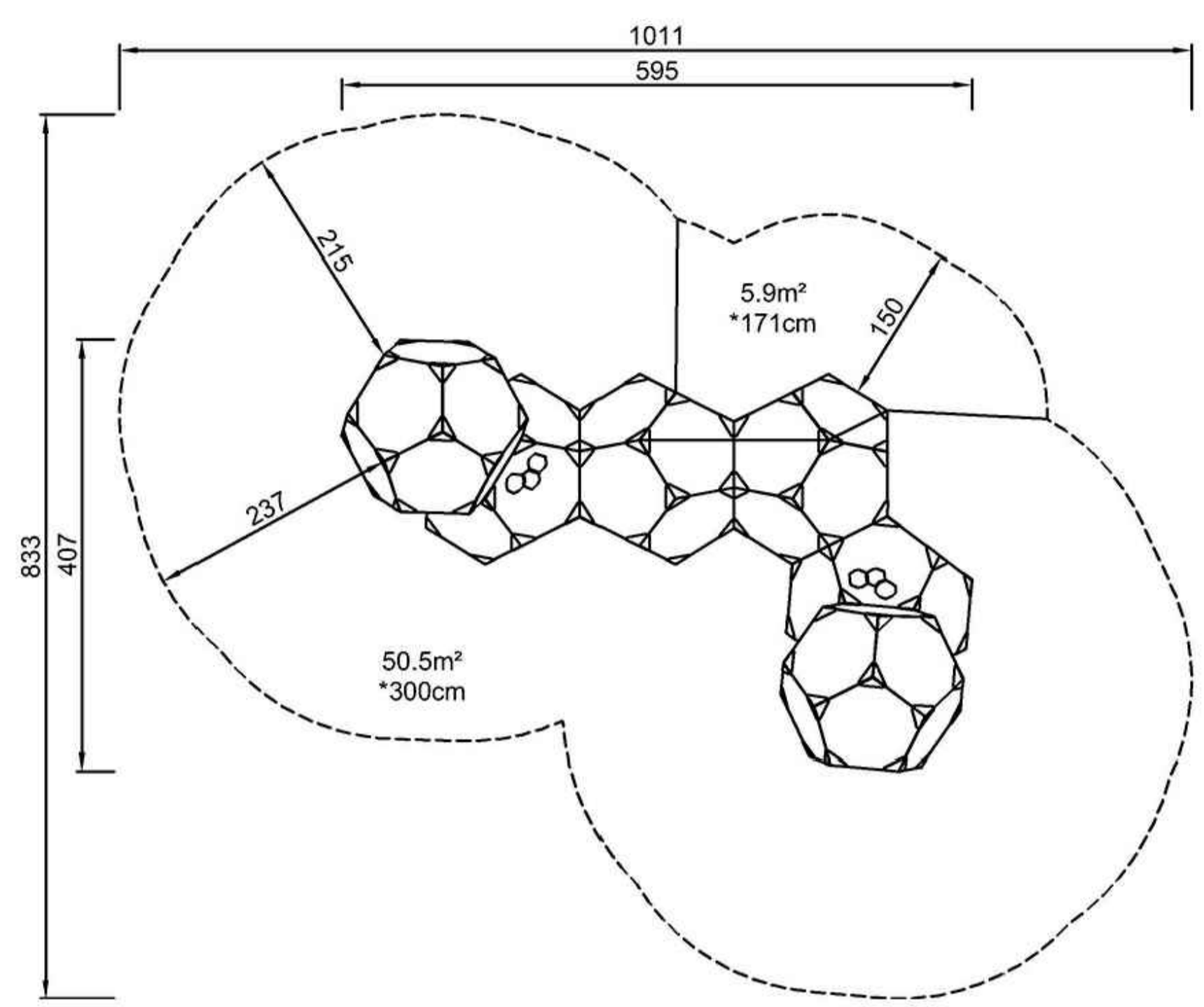


NOTE
 ALL DIMENSIONS TO BE CHECKED ON SITE
 NO DIMENSIONS TO BE SCALED FROM THIS DRAWING
 THIS DRAWING IS TO BE READ IN CONJUNCTION WITH
 RELEVANT CONSULTANTS DRAWINGS
 NO PART OF THIS DOCUMENT MAY BE REPRODUCED OR
 TRANSMITTED IN ANY FORM OR STORED IN ANY RETRIEVAL
 SYSTEM OF ANY NATURE WITHOUT THE WRITTEN PERMISSION
 OF THE LANDSCAPE ARCHITECT AS COPYRIGHT HOLDER EXCEPT
 AS AGREED FOR USE ON THE PROJECT FOR WHICH THE
 DOCUMENT WAS ORIGINALLY ISSUED.
 FOR DRAWING INDEX, GENERAL NOTES, REFER TO
 DWG L1-001

CLIENT:

ATLAS GP LIMITED

ARCHITECTS:



01 CLIMBING WALL REFERENCE IMAGE



02 CUBE PLAY STRUCTURE WITH SLIDE REFERENCE IMAGE
 NTS

REVISIONS			
Job No.	18A5A	Drawn By	Author
Dwg No.	A-L1-904	Checked By	Checker
Scale	@A1	Date	AUGUST 2022

JOB DESCRIPTION	
Site	FORMER AVID TECHNOLOGY SITE
Project	CARMANHALL ROAD SHD 2022
Title	PLAY EQUIPMENT